



KELLEY MANUFACTURING Co.
TIFTON, GEORGIA ~ 1-800-444-5449
www.kelleymfg.com



6000 SERIES STACK FOLD TOOLBAR



EXTRA HEAVY DUTY

HEAVY-DUTY CONSTRUCTION

DESIGNED FOR:

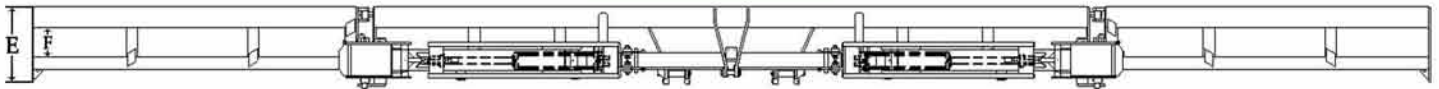
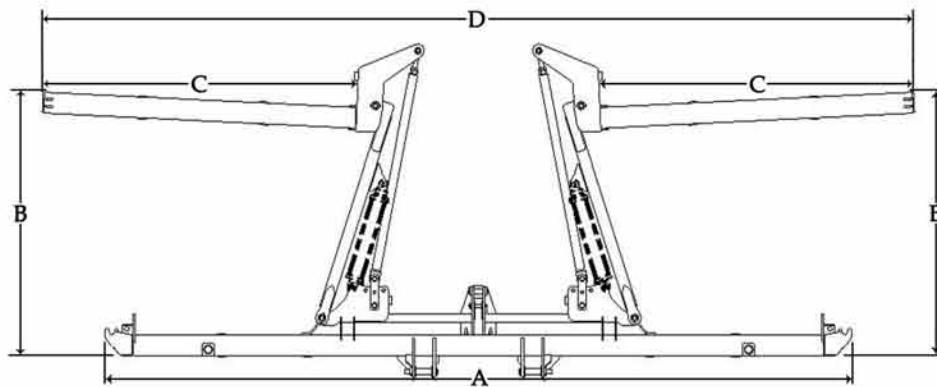
- DISC BEDDERS
- LISTER ROLLERS
- SOME CULTIVATORS
- MIDDLE BUSTERS IN
RUGGED APPLICATIONS
- ROW SUB-SOILING



6000 SERIES STACK FOLD TOOLBAR
SHOWN WITH 12 ROW LISTER ROLLER

THE 6000 SERIES IS A WELDED, DOUBLE BAR STACK FOLD TOOLBAR. DESIGNED STRONG ENOUGH FOR USE WITH DEEP SHANK RIPPERS, THIS SERIES BAR IS MUCH MORE HEAVY DUTY THAN THE SINGLE BAR TOOLBARS WITH BOLT ON HITCH BARS. 12 AND 16 ROW TOOLBARS ARE CATEGORY III AND CATEGORY IV NARROW.

6000 SERIES STACK FOLD TOOLBAR SPECIFICATIONS:



Part #	Rows/ Row Spacing	Front Hitch Bar Dimension	Main Toolbar Dimension	A	B	C	D	E	F	Weight
68-082-005	12 (30")	7x4	7x7	204 1/2"	91 1/2"	83 3/8"	220"	21"	10"	1,530lb
68-082-002	12 (36"-38") 12 (40") 16 (30")	7x4	7x7	256 5/8"	104 3/8"	116 1/2"	305 1/2"	21"	10"	1,985lb

* TOOLBARS SHOWN ABOVE ARE FOR COMPONENTS IN ROW MIDDLES.

* 12/ 40" & 16/ 30" REQUIRE KMC DISC MOUNTING BRACKET.



SEE YOUR LOCAL DEALER OR CALL **KMC** FOR MORE
INFORMATION TODAY!
1-800-444-5449